

Reversible (Υ - Δ) Asynchronous motor

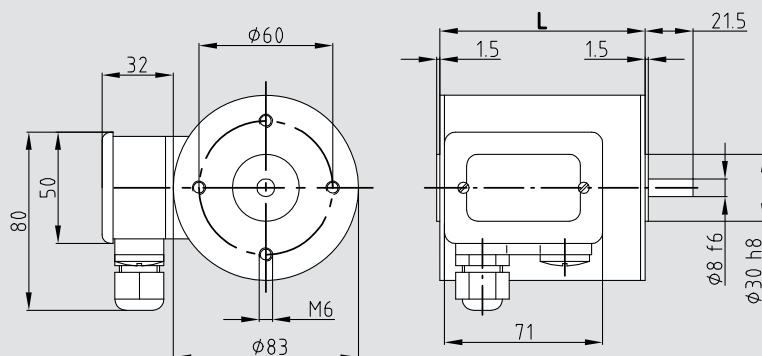
Properties:	Connection:	230 V / 50 Hz (running capacitor required) or 400 V / 50 Hz three-phase system Connection using K4 terminal boxes
	Service life:	20,000 hours, S1 duty
	Insulation mat. class:	B, optional F
	System of protection:	IP 44, optional up to IP 65
	Special model:	Design for short-time duty with high performance
	Options:	Thermal protection, special shafts, special flanges, custom designed



Type	Name	U	AC voltage	KD 842	KD 842	KD 862	KD 862
	Nominal voltages			230	400	230	400
Specification	Nominal power	P ₂	W	47	56	43	65
	Nominal speed	n _{nom}	rpm	2650	2650	2650	2650
	Nominal torque	T _{nom}	Ncm	17.0	20.5	15.5	23.5
	Starting torque	T _A	Ncm	11.5	66.5	14.0	66.5
	Nominal current	I _{nom}	mA	337	187	331	194
	No-load current	I ₀	mA	179	143	145	131
Characteristics	Locked rotor speed	n _{break}	rpm	2250	-	2250	-
	Locked rotor torque	T _{break}	Ncm	25	-	25	-
	Nominal efficiency	η		0.66	0.58	0.57	0.64
Connection	Terminal resistance	R	Ohm	110	219	110	219
	Input power	P ₁	W	73.5	95	74.5	105
	Running capacitor	C	μF	4.0	-	5.0	-
Dynamics	Weight	m	kg	1.9	1.9	2.5	2.5
	Moment of inertia	J	gcm ²	750	750	1050	1050
Thermal	Adm. ambient temperature	T _a	°C	-20 to +40	-20 to +40	-20 to +40	-20 to +40
	Max. adm. stator temperature	T _{max}	°C	+120	+120	+120	+120
Coupling	Shaft diameter	d	mm	8	8	8	8
	Max. axial force	F _a	N	20	20	20	20
	Max. radial force	F _r	N	220	220	220	220

Dimensions

Type	L / mm
KD 842	92
KD 862	112



System technology

Recommended combinations other gears and extensions upon request	Worm gear	S 668	S 769
	Spur gear	Z 8	M 7
	Planetary gear	PM 60	
	Rotary encoder	RV 30	RI 30
	Brake	B 3	

Reversible (Y-Δ) Asynchronous motor

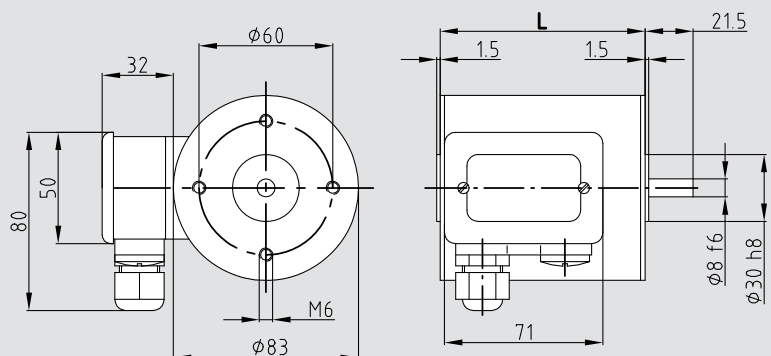
Properties:	Connection:	230 V / 50 Hz (running capacitor required) or 400 V / 50 Hz three-phase system Connection using K4 terminal boxes
	Service life:	20,000 hours, S1 duty
	Insulation mat. class:	B, optional F
	System of protection:	IP 44, optional up to IP 65
	Special model:	Design for short-time duty with high performance
	Options:	Thermal protection, special shafts, special flanges, custom designed



Type	Name			KD 844	KD 844	KD 864	KD 864
	Nominal voltages	U	AC voltage	230	400	230	400
Specification	Nominal power	P ₂	W	21	27	36	31
	Nominal speed	n _{nom}	rpm	1250	1250	1250	1250
	Nominal torque	T _{nom}	Ncm	13	22	26	31
	Starting torque	T _A	Ncm	14.5	51.5	11.5	55.0
	Nominal current	I _{nom}	mA	229	142	321	154
	No-load current	I ₀	mA	182	125	180	144
Characteristics	Locked rotor speed	n _{break}	rpm	1050	-	1200	-
	Locked rotor torque	T _{break}	Ncm	21	-	33	-
	Nominal efficiency	η		0.46	0.43	0.52	0.52
Connection	Terminal resistance	R	Ohm	176	528	146	439
	Input power	P ₁	W	46.5	62.0	68.5	60.0
	Running capacitor	C	μF	3.0	-	4.0	-
Dynamics	Weight	m	kg	1.9	1.9	2.5	2.5
	Moment of inertia	J	gcm ²	750	750	1050	1050
Thermal	Adm. ambient temperature	T _a	°C	-20 to +40	-20 to +40	-20 to +40	-20 to +40
	Max. adm. stator temperature	T _{max}	°C	+120	+120	+120	+120
Coupling	Shaft diameter	d	mm	8	8	8	8
	Max. axial force	F _a	N	20	20	20	20
	Max. radial force	F _r	N	220	220	220	220

Dimensions

Type	L / mm
KD 844	92
KD 864	112



System technology

Recommended combinations other gears and extensions upon request	Worm gear	S 668	S 769
	Spur gear	Z 8	M 7
	Planetary gear	PM 60	
	Rotary encoder	RV 30	RI 30
	Brake	B 3	